

### VR-JetE Basic equipment

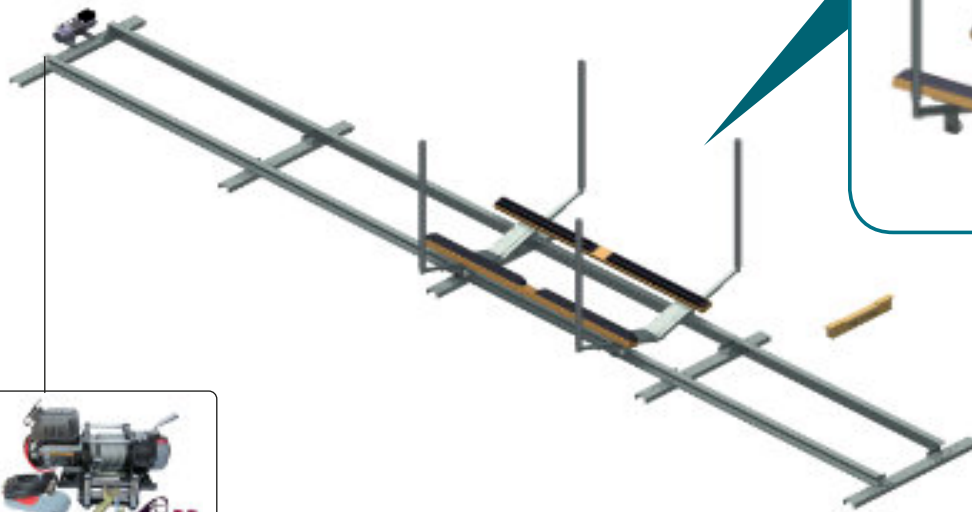
Rails	Consisting of 2 m modules (length from 8 m)
Side guides	Adjustable side guides, 4 pcs
Bumpers	4 x MF-44 Bumpers for the carriage planks
Carriage	<ul style="list-style-type: none"> <li>2 x Carriage axles with single wheels (2+2)</li> <li>2 x Longitudinal planks</li> </ul>
Winch	Electric winch Warrior Ninja 12 V/2050 kg with wireless remote control, dyneema rope 24 m / 5 mm

### Technical information

Frame	7 mm hotrolled, hot-dip galvanized steel <ul style="list-style-type: none"> <li>U-beams: UPE100 S355J2, Standard EN10025</li> <li>Hot-dip galvanizing: 100-150 µm, EN ISO 1461</li> </ul>
Bolts and nuts	Hot-dip galvanized steel
Wheels	Nylon
Wheel hubs, fasteners	Acid-resistant steel
Wooden parts	Pressure-treated wood
Weight	About 240 kg (with the length 8 m)
Freight weight and size	Weight about 250 kg Size about 2,15 x 1,0 x 0,7 m

VR-JetE jet ski dock is intended for different kind of jet skis.

### VR-JetE (14421)




Warrior Ninja

WARRANTY	YEAR
Frame and metal parts	2
Wooden parts and accessories	1
Electric winches	2
Electric winches remote-control	1

EasyBoatRoller will be delivered unassembled. We reserve the right to make changes.

### Accessories

 <p>204119</p>	 <p>204139</p>	 <p>204122</p>	 <p>204131</p>
<p>Rail extension set, 2 m</p>	<p>Wireless remote control set, 30 m operating range</p>	<p>Protection box for winch / battery</p>	<p>Solar Panel system with a leg and controller</p>
 <p>204107</p>	 <p>891005</p>	 <p>204124 204125 204126</p>	 <p>204117</p>
<p>Walking platform, 2 m</p>	<p>MF-44 Bumbers of the carriages' planks</p>	<p>Heightening set of the carriage 100/200/300 mm</p>	<p>Transfer system for rails</p>
 <p>204132 204134 204136</p>			
<p>Adjustable support legs Short/medium/long</p>			

### Accessories for expanding the dock for bigger carrying capacity class

 <p>204102</p>	 <p>204112</p>	 <p>204103</p>
<p>Tandem wheels, 2 pcs</p>	<p>Axle with tandern wheels</p>	<p>POM tandem wheels, 2 pcs</p>